

UNISON floor joints

July 2010

This document is intended to give general advice on the selection of specialist metal floor joints. accompanying this document are five pages of floor joints ranging from lightweight to extra heavy duty.

It is the role of the designer to choose the floor joint type the is suited to the worst loadings that the floor is expected to encounter. A one-off encounter with an unusual load will destroy a lesser floor joint.

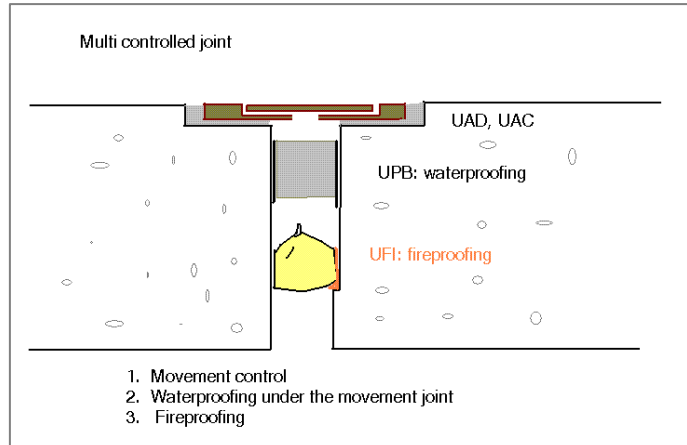
These are not seismic joints. They are for floor movement control.

Floor movement may be caused by: drying, shrinkage, thermal, building movement or vibration, differential building movement

	Method	Use
UFM	Surface installed	Thickness to match vinyl, vinyl tile
UAD	Surface installed or Shallow post-installation.	Thickness to match ceramic tile. Polished concrete.
UAC	Needs original installation into formed rebate	For many floor types. Careful height setting. Foot and trolley traffic only. Eg supermarket.
UACHD	Needs original installation into formed rebate	Heavy duty double leg support. Vehicle support. carparks
UACEHA	Needs original installation into formed rebate	Extra heavy duty, thick wall double leg support. Heavy loads; eg trucks, fork hoists with loads. eg warehouses

All types may be used in combination with:

- UFI fire control in joints
- UPB waterproofed joints



IMPORTANT NOTE:

This bulletin is for general guidance only and may contain inappropriate information under particular conditions of use. It is the adhesive user's responsibility to ensure that the adhesive is suitable for the intended application. If in doubt about any aspect of suitability or application, seek advice from Nuplex Industries before using.

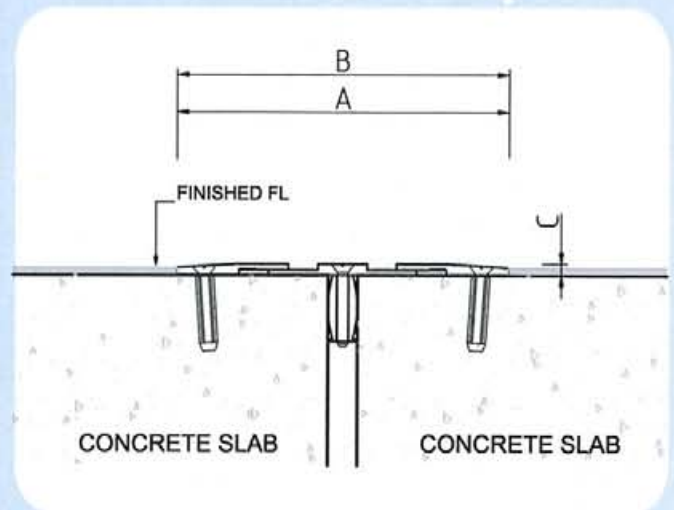
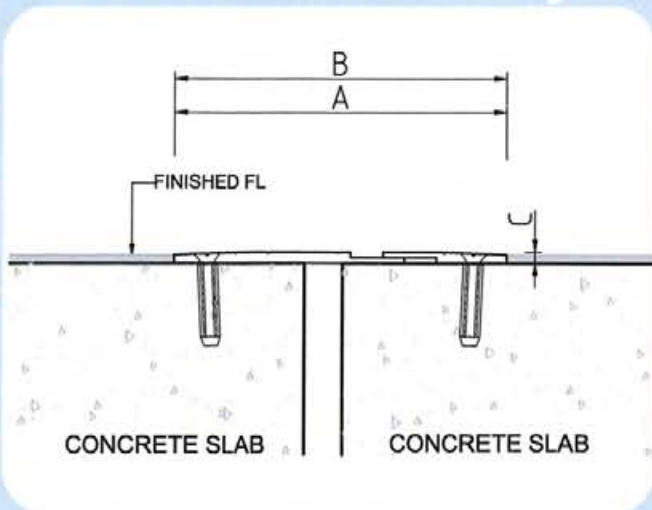
0508-882288

ncpsales@nuplex.co.nz

www.nuplexconstruction.co.nz

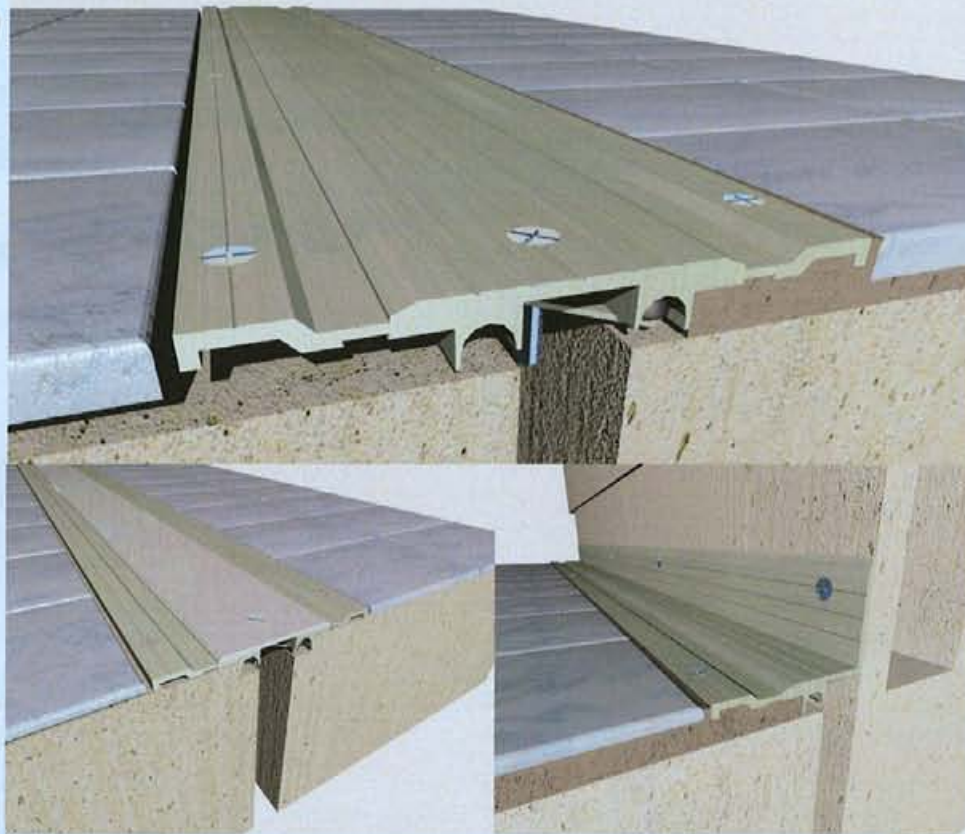


- Two piece aluminium & brass movement joint
- Three piece brass joint option
- "slab on ground" application
- Supermarkets and retail areas
- Vinyl/ Vinyl tiles or Similar floor thickness finish
- Smooth transition
- Colour range available

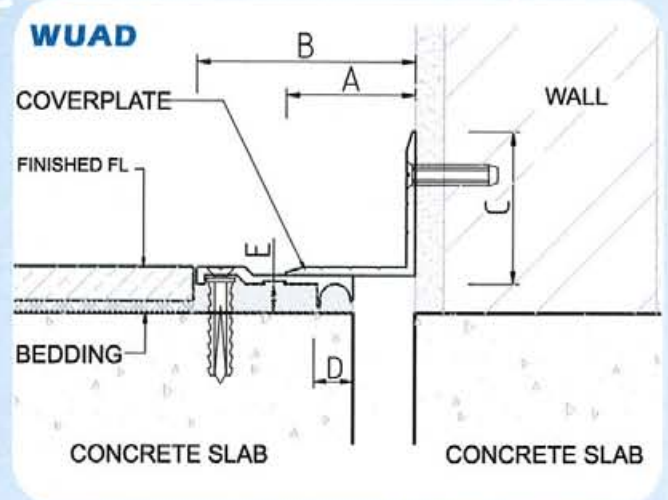
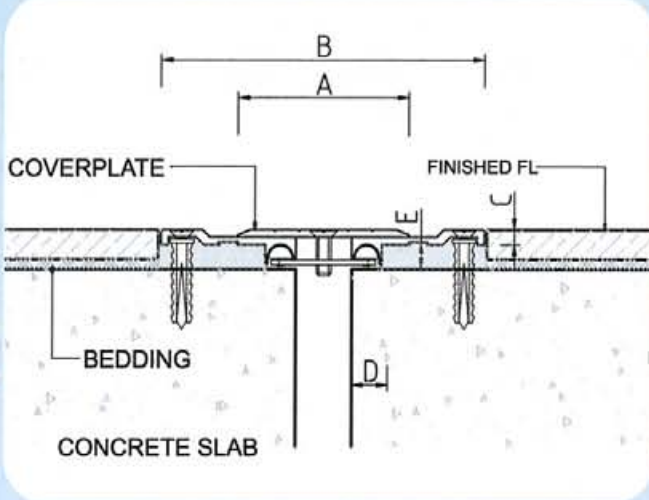


PRODUCT	Stock Length /Unit	Unit	Dimension A Coverplate Width	Dimension B Surface Width	Dimension C Height	Blockout Dimensions D x E	Dimension F Median Gap Width	Movement		Coverplate Thickness
UAFM / UBFM										
UAFM	3.6	metre	111	111 - 128	4.0 - 3	115x3	8	17	0	4
UBFM	3.6	metre	111	111 - 128	4.5 - 3	115x3	8	17	0	4.5
UBFM/3	3.6	metre	111	111 - 139	4.5 - 3	115x3	10	28	0	4.5

Design and specifications are subject to change without notice. All design rights reserved

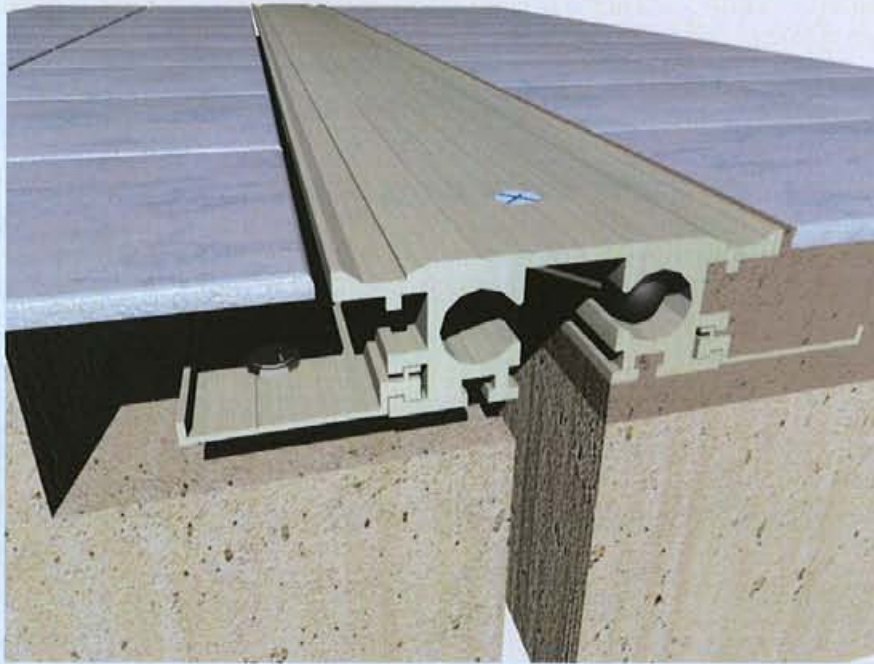


- Low profile
- Horizontal/ Vertical/ Transverse movement
- Retrofit applications
- Suitable for a variety of floor finishes
- Suspended slab/ Slab on ground applications
- Exposed fasteners
- Stainless steel coverplate option
- Wall to Floor Joints Option

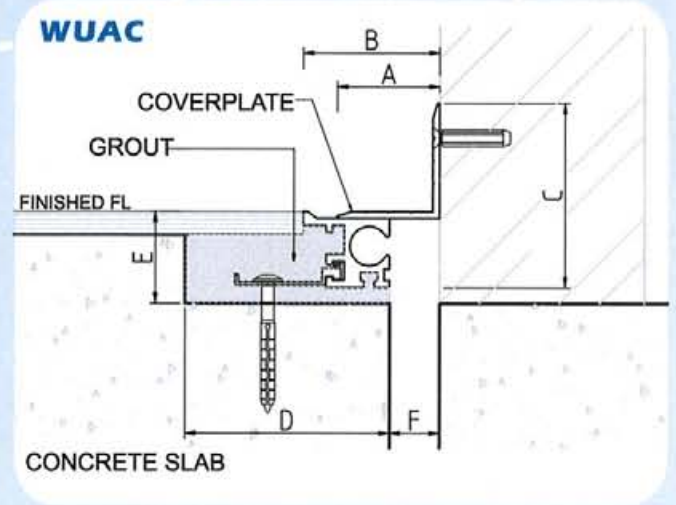
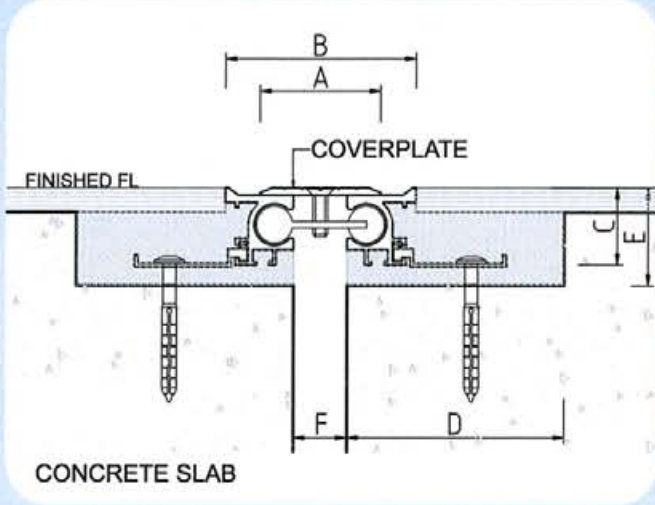


PRODUCT	Stock Length /Unit	Unit	Dimension A Coverplate Width	Dimension B Surface Width Range	Dimension C Height	Blockout Dimensions D x E	Movement		Coverplate Thickness
							Horizontal	Vertical	
UAD / WUAD									
UAD 70/ UADS 70	4.8	metre	70	116 - 169	6	15 x 12	53	10	3
UAD 100/ UADS 100	4.8	metre	100	141 - 194	6	15 x 12	53	21	4
UAD 220/ UADS 220	4.8	metre	220	244 - 434	9	30 x 30	190	25	6 or 8
WUAD 45/ WUADS 45	4.8	metre	50	70 - 100	53	15 x 12	27	0	3

Design and specifications are subject to change without notice. All design rights reserved

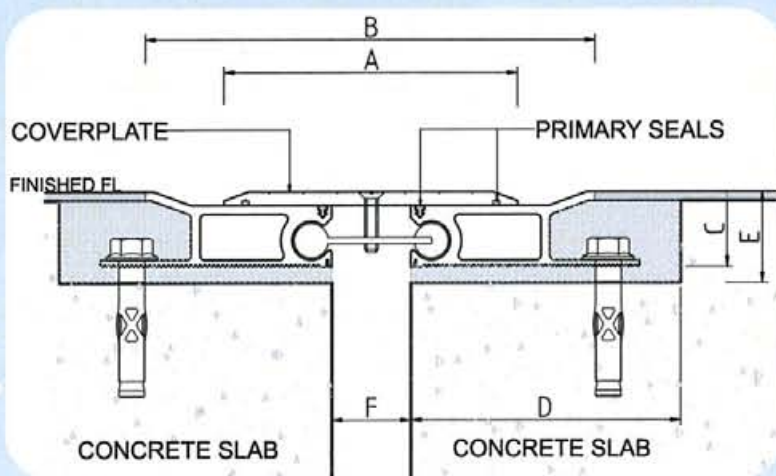


- Concealed fixings
- Compatible with most floor finishes
- Thermally dynamic
- High capacity / Low maintenance
- Durable extruded aluminium subframe
- Pedestrian traffic areas
- Commercial & public structures
- Wall to floor joints option
- Stainless steel coverplate option



PRODUCT	Stock Length /Unit	Unit	Dimension A Coverplate Width	Dimension B Surface Width	Dimension C Height	Blockout Dimensions D x E	Dimension F Median Gap Width	Movement		Coverplate Thickness
								Horizontal	Vertical	
UAC / UACS / WUAC										
UAC 50/ UACS 50	4.8	metre	50	63 - 92	32	90 x 40	21	29	12	3
UAC 70/ UACS 70	4.8	metre	70	82 - 136	33	90 x 40	33	54	18	3
UAC 100/ UACS 100	4.8	metre	100	111 - 162	33	90 x 40	63	51	28	4
WUAC 45/ WUACS 45	4.8	metre	50	56 - 83	80	90 x 40	21	27	0	3
WUAC 75/ WUACS 75	4.8	metre	75	81 - 108	105	90 x 40	36	27	0	3

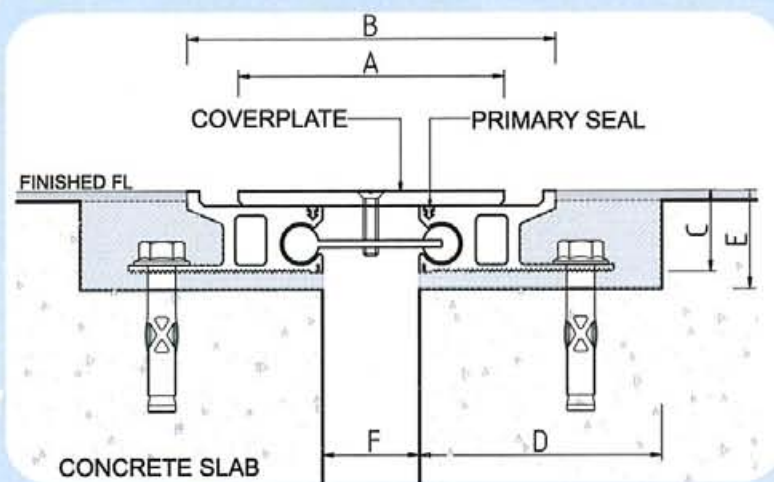
Design and specifications are subject to change without notice. All design rights reserved



- Concealed fixings
- Optional "T" bracket for use in thicker floor finishes
- High load capacity
- Designed for secondary waterproofing systems
- Designed for fire rating systems
- Suitable for loading bays & external concourses
- Wall to floor joints option
- Stainless steel coverplate option

PRODUCT	Stock Length /Unit	Unit	Dimension A Coverplate Width	Dimension B Surface Width	Dimension C Height	Blockout Dimensions D x E	Dimension F Median Gap Width	Movement		Coverplate Thickness
								Horizontal	Vertical	
UACHD / T										
UAC 130HD/ UACS	4.8	metre	130	170-278	33	120 x 40	57	108	50	6
UAC 130HDT/ UACS	4.8	metre	130	170-278	68/93	120 x 40	57	108	50	6
WUAC 130HD/ WUAC	4.8	metre	75	82-137	105	90 x 40	57	55	0	6

Design and specifications are subject to change without notice. All design rights reserved



- Concealed fixings
- Extra heavy duty
- "No bump" traffic ride
- High capacity / Low maintenance
- Commercial & public structures
- Stainless steel coverplate option
- Coverplate size & retrofit options

PRODUCT	Stock Length /Unit	Unit	Dimension A Coverplate Width	Dimension B Surface Width	Dimension C Height	Blockout Dimensions D x E	Dimension F Median Gap Width	Movement		Coverplate Thickness
								Horizontal	Vertical	
UACEHD /								Horizontal	Vertical	
UAC 110EHD/ UACS	4.8	metre	110	120-201	34	100 x 40	43	81	42	6
UAC 140EHD/	4.8	metre	140	150-231	34	100 x 40	73	81	42	6

Design and specifications are subject to change without notice. All design rights reserved